

Capacitor for Air Conditioner



CBB65-3C



CBB65-3D

► Main feature

UL.CSA File:E223707

Very small dissipation factor, small inherent temperature rise, excellent self-healing stability, safety and high reliability, ect.

► Application

Metallized condescence capacitor specially for air conditioner, refrigerator. The capacitor is with explode-proof structure, applicable to 50Hz(60Hz) start and operation in air conditioner, refrigerator.

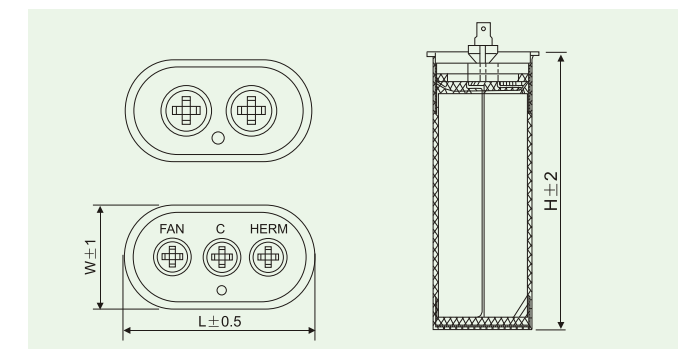
► Specifications

Climatic category	Rate voltage	Voltage proof Vt-t	Voltage proof Vt-c	Capacitance tolerance	Dissipation factor
40/70/21 40/85/21 40/90/21 40/105/21	110V.AC- 600V.AC	1.5Un/5S 1.75Un/5S 2Un/5S	2000V. AC/5S	± 3% ± 5% ± 10%	≤0.002

Capacitance range	Dimensions	Reference standard	Certification	Class of operation	Safety grade
3 μ F- 120 μ F	D: φ 42- φ 60 W: 51.5(71) H:60-240 T:31.5(45)	UL810 IEC252 GB3667 EN60252	UL CE	A 30000h B 10000h C 3000h	P2

► Dimensions (mm)

Capacitance	Oval Shape Dimension in mm		
	L	W	H
2MFD	52	32	60
3MFD	52	32	60
4MFD	52	32	60
5MFD	52	32	60
6MFD	52	32	60
8MFD	52	32	60
10MFD	52	32	80
12.5MFD	52	32	80
15MFD	52	32	80
18MFD	71	45	90
20MFD	71	45	90
25MFD	71	45	90
30MFD	71	45	110
35MFD	71	45	110
40MFD	71	45	110
45MFD	71	45	110
50MFD	71	45	110
55MFD	71	45	110
60MFD	71	45	130



Capacitor for Air Conditioner



CBB65-2B



CBB65-3B



CBB65-4A

► Main feature

UL.CSA File:E223707

Very small dissipation factor, small inherent temperature rise, excellent self-healing stability, safety and high reliability, ect.

► Application

Use for motor running in house held electric appliances as washing machine, air conditioner Refrigerater 50-60Hz AC power supply. Safe protection construction.

► Specifications

Climatic category	Rate voltage	Voltage proof Vt-t	Voltage proof Vt-c	Capacitance tolerance	Dissipation factor
40/70/21 40/85/21 40/90/21 40/105/21	110V.AC- 600V.AC	1.5Un/5S 1.75Un/5S 2Un/5S	2000V. AC/5S	±3% ±5% ±10%	≤0.002

Capacitance range	Dimensions	Reference standard	Certification	Class of operation	Safety grade
3 μ F- 120 μ F	D: φ 42- φ 60 W: 51.5(71) H:60-240 T:31.5(45)	UL810 IEC252 GB3667 EN60252	UL CE	A 30000h B 10000h C 3000h	P2

► Dimensions (mm)

Capacitance	Round Shape Dimension in mm	
	φ D	L
5MFD	42	70
6MFD	42	70
8MFD	42	70
10MFD	42	70
12.5MFD	42	70
16MFD	42	90
18MFD	42	90
20MFD	45	90
25MFD	45	90
30MFD	50	110
35MFD	50	110
40MFD	50	110
45MFD	50	110
50MFD	50	110
55MFD	60	110
60MFD	60	110
70MFD	60	110
80MFD	60	110

